

LFNE5B Commercial Washer



10 KG COMMERCIAL TOUCH CONTROL FRONT LOAD WASHER

Features and Benefits

- Low water consumption of only 54.3 litres per wash on a standard cycle with NO options with full wash completed in 30 minutes.
- Energy saving 'High Speed Extract' spin cycle of 1,200 rpm producing 'G' forces in excess of 440 for greater water removal, resulting in reduced drying times and associated energy savings.
- Soft mount machine requires no bolting down to secure.
- Pre-Wash and extra rinse option for heavily soiled loads.

SPECIFICATIONS

DIMENSIONS	
CAPACITY	10 kg
WIDTH	683 mm
DEPTH	704 mm
HEIGHT	1,027 mm
DRUM VOLUME	96.8 litres
NET WEIGHT	113 kg
OPERATION	
CYCLES	6 Cycles, 3 Soil Levels
CYCLE LIGHTS	Yes & Timer Display
CONTROLS	Commercial E MECH
ACTIVATION	Electronic Touch
WATER TEMP	Hot, warm or cold
MOTOR	1 hp, variable speed
SPIN SPEED	500 - 1,200 rpm, variable speed
WATER USE	44.3 litres / wash standard cycle
FRONT SERVICE	Yes
CONSTRUCTION	
DRUM	Stainless steel
OUTER BOWL	Stainless steel
OUTER CABINET	Steel



LFNE5B Commercial Washer



TECHNICAL SPECIFICATIONS

UTILITIES

10 AMP SINGLE PHASE 240 V 50 HZ

10 AMP CIRCUIT-BREAKER REQUIRED

1.8 M POWER CORD

HOT AND COLD WATER CONNECTIONS REQUIRED

1.2 M HOT AND COLD WATER HOSES SUPPLIED

WATER SUPPLY HOSE TAP **ENDS** 3/4 BSP THREADS

MAX HOT WATER CONSUMPTION 31 LITRES / CYCLE (INC PRE-WASH)

MAX WATER CONSUMPTION 70.6 LITRES / CYCLE

MAX POWER DRAW 750 W / HR

DRAIN: 610 - 914 MM UPSTAND, 50 MM DIAMETER

WATER SUPPLY PRESSURE BETWEEN MAX 820 KPA/MIN 140 KPA

SHIPPING DIMENSIONS

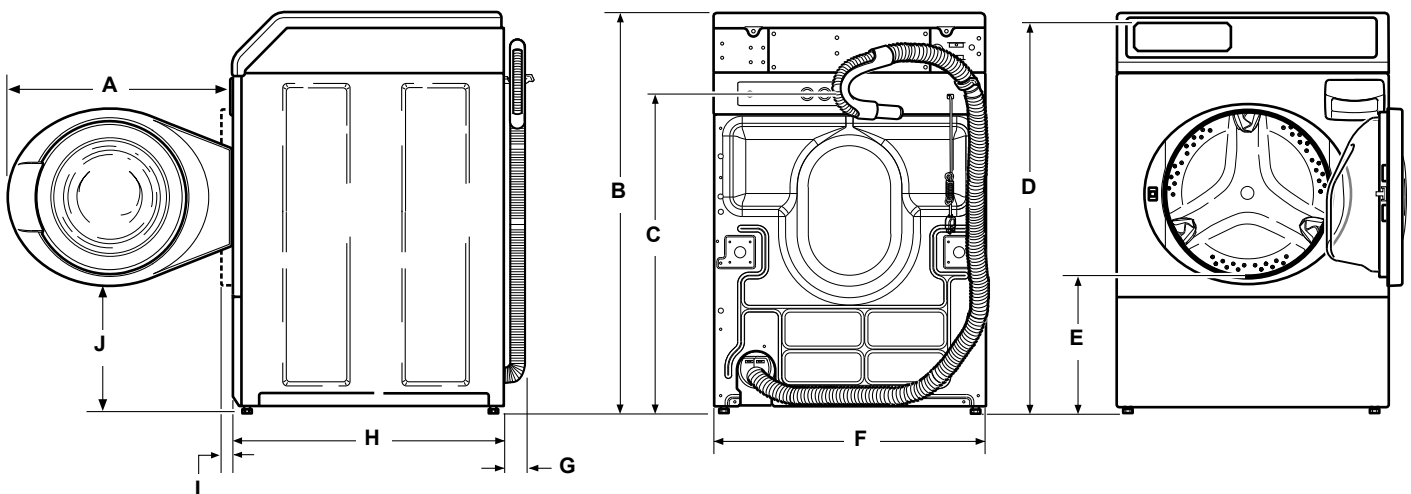
WEIGHT 122 kg

HEIGHT 1,156 mm

WIDTH 737 mm

DEPTH 832 mm

0.71 m³



A 611 mm [24.06 in.]
D 1006 mm [39.61 in.]
G 52 mm [2.04 in.]
J 333 mm [13.1 in.]

B 1027 mm [40.42 in.]
E 371 mm [14.6 in.]
H 704 mm [27.73 in.]

C 813 mm [32 in.]
F 683 mm [26.875 in.]
I (with door closed) 40 mm [1.59 in.]

WESTERN AUSTRALIA

7/15 Walters Drive
Osbourne Park WA 6017
T: 08 9445 7744
enquiry@speedqueenwa.com.au

NEW SOUTH WALES & ACT

245 Rawson Street
Auburn NSW 2144
T: 02 9748 2155
enquiry@speedqueenlaundry.com.au

SOUTH AUSTRALIA & NT

385-387 Main North Road
Enfield SA 5085
T: 08 7095 0336
sa@speedqueenlaundry.com.au

QUEENSLAND

2/18 Gravel Pit Road
Darra QLD 4076
T: 07 3376 3869 *Home retail
qld@speedqueenlaundry.com.au

*For the most accurate information, the installation guide should be used for all design and construction purposes. Due to continuous product improvements, design and specifications are subject to change without notice.