



## 10 KG FRONT LOAD WASHER AND ELECTRIC DRYER

### Features and Benefits

- Low water consumption of only 44.3 litres per wash, with full wash completed in 30 minutes.
- Energy saving 'High Speed Extract' spin cycle of 1,200 rpm producing 'G' forces in excess of 440 for greater water removal, resulting in reduced drying times and associated energy savings.
- 100% front service dryer.
- Touch push button controls robust and easy to use controls suitable for high volume multiple operator applications.

### SPECIFICATIONS

| DIMENSIONS        |                                  |
|-------------------|----------------------------------|
| CAPACITY          | 10 kg washer, 9 kg dryer         |
| WIDTH             | 683 mm                           |
| DEPTH             | 796 mm                           |
| HEIGHT            | 1,986 mm                         |
| NET WEIGHT        | 177 kg                           |
| OPERATION         |                                  |
| CYCLES            | 9 cycles, 3 soil levels          |
| CYCLE LIGHTS      | Yes                              |
| CYCLE TIME        | 26 - 30 minutes                  |
| CONTROLS          | Touch push button controls       |
| ACTIVATION        | Coin, Token, card or Payment App |
| WATER TEMPERATURE | Cold, Warm or Hot                |
| MOTOR WASHER SPIN | 1 hp, variable speed             |
| SPEED WASHER      | 500 - 1,200 rpm, variable        |
| WATER USE WASHER  | speed 44.3 litres / wash         |
| HEAT INPUT DRYER  | 4,000 w                          |
| CONSTRUCTION      |                                  |
| INNER BOWL WASHER | Stainless steel                  |
| OUTER BOWL WASHER | Stainless steel                  |
| OUTER CABINET     | Steel                            |
| DRUM DRYER        | Galvanised                       |



# STENXA-SS Commercial Washer/Dryer



## TECHNICAL SPECIFICATIONS

### UTILITIES WASHER

|  |
|--|
| 10 AMP SINGLE PHASE 240 V 50 HZ              |
| 10 AMP CIRCUIT-BREAKER REQUIRED              |
| 1.8 M FLEX SUPPLIED FITTED                   |
| HOT AND COLD WATER SUPPLY                    |
| 1.2 M HOT AND COLD WATER HOSES SUPPLIED      |
| WATER SUPPLY HOSE TAP ENDS 3/4 BSP THREADS   |
| MAX HOT WATER CONSUMPTION 18.7 LITRE / CYCLE |
| MAX WATER CONSUMPTION 44.3 LITRE / CYCLE     |
| MAX POWER DRAW 750 W / HR                    |
| DRAIN: 610 - 914 MM UPSTAND, 40 MM DIAMETER  |
| WATER SUPPLY PRESSURE BETWEEN 140-820 KPA    |

### UTILITIES DRYER

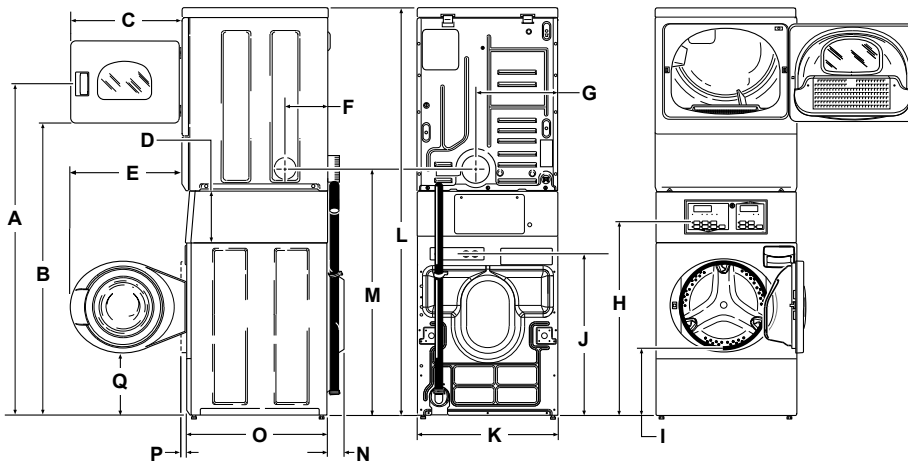
|                     |                            |
|---------------------|----------------------------|
| 20 AMP SINGLE PHASE | 240 V 50 Hz                |
| 20 AMP              | Circuit breaker required   |
| 1.8 M               | Power Cord                 |
| FLUE DIAMETER       | 102 mm (4 in)              |
| AIR FLOW            | 85 litres / second         |
| MAX POWER DRAW      | 4,000 w / hour             |
| OPTIONAL            | Right or left side venting |

### SHIPPING DIMENSIONS

|        |                     |
|--------|---------------------|
| WEIGHT | 189 kg              |
| HEIGHT | 2,032 mm            |
| WIDTH  | 762 mm              |
| DEPTH  | 864 mm              |
|        | 1.33 m <sup>3</sup> |

|               |              |           |              |
|---------------|--------------|-----------|--------------|
| A: 1,678* mm  | B: 1,447* mm | C: 597 mm | D: 213 mm    |
| E: 610 mm     | F: 203 mm    | G: 391 mm | H: 938* mm   |
| I: 368* mm    | J: 813* mm   | K: 683 mm | L: 1,986* mm |
| M: 1,148* mm) | N: 52 mm     | O: 704 mm |              |

\* With Leveling Legs Turned Into Base.



### WESTERN AUSTRALIA

7/15 Walters Drive  
Osbourne Park WA 6017  
T: 08 9445 7744  
enquiry@speedqueenwa.com.au

### NEW SOUTH WALES & ACT

245 Rawson Street  
Auburn NSW 2144  
T: 02 9748 2155  
enquiry@speedqueenlaundry.com.au

### SOUTH AUSTRALIA & NT

385-387 Main North Road  
Enfield SA 5085  
T: 08 7095 0336  
sa@speedqueenlaundry.com.au

### QUEENSLAND

2/18 Gravel Pit Road  
Darra QLD 4076  
T: 07 3376 3869 \*Home retail  
qld@speedqueenlaundry.com.au

\*For the most accurate information, the installation guide should be used for all design and construction purposes. Due to continuous product improvements, design and specifications are subject to change without notice.